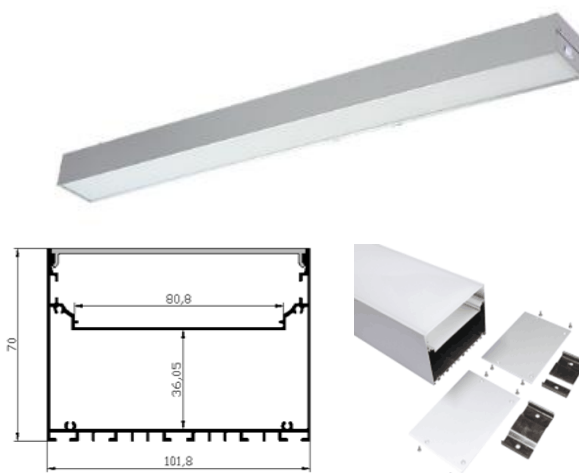


SURFACED LED LINEAR LIGHT

Code: BE-XT1036

45W

LINEAR LIGHT
L1500*W101*70mm
AC220-240V 50/60Hz
2 YEARS WARRANTY



Applications:

Ideal for Commercial Lighting, Offices, indoor Lighting.

GENERAL INFORMATION

Ref.Code:	BE-XT1036
Description:	Surfacled lights linear light with opal diffuser
Product Size(MOD*MOL):	L1500*W101*70mm
Finish:	Sliver Non-Dimmable

TECHNICAL SPECIFICATIONS

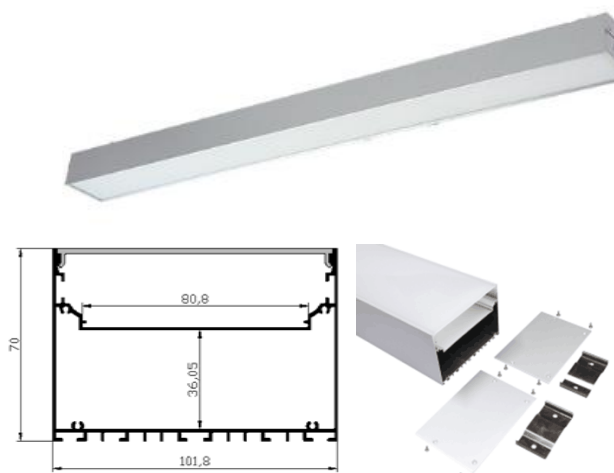
Rated Voltage(V):	AC220-240V
Rated Frequency(Hz):	50-60Hz
Rated Power(W):	45W
Colour Temperature(K):	6000K-6500K
Led Chip	SMD Epistar
Lumen:	4500lm
Luminous Efficiency(Lm/W):	100Lm/W
Beam Angle:	180 °
Colour Rendering Index:	80
Power Factor:	0.50
Material:	Aluminum
Installation:	Surfacled
Waterproof Grade:	IP44
Working Temperature:	-20~40°C
Average Life(Hrs):	35,000Hrs
Warranty	2 Years
Operation Position:	Universal
Quality Standard:	CE/RoHs

SURFACED LED LINEAR LIGHT

Code: BE-XT1036

18W

LINEAR LIGHT
L600*W101*70mm
AC220-240V 50/60Hz
2 YEARS WARRANTY



Applications:

Ideal for Commercial Lighting, Offices, indoor Lighting.

GENERAL INFORMATION

Ref.Code:	BE-XT1036
Description:	Surfacled lights linear light with opal diffuser
Product Size(MOD*MOL):	L600*W101*70mm
Finish:	Sliver Non-Dimmable

TECHNICAL SPECIFICATIONS

Rated Voltage(V):	AC220-240V
Rated Frequency(Hz):	50-60Hz
Rated Power(W):	18W
Colour Temperature(K):	6000K-6500K
Led Chip	SMD Epistar
Lumen:	1800lm
Luminous Efficiency(Lm/W):	100Lm/W
Beam Angle:	180 °
Colour Rendering Index:	80
Power Factor:	0.50
Material:	Aluminum
Installation:	Surfacled
Waterproof Grade:	IP44
Working Temperature:	-20~40°C
Average Life(Hrs):	35,000Hrs
Warranty	2 Years
Operation Position:	Universal
Quality Standard:	CE/RoHs